

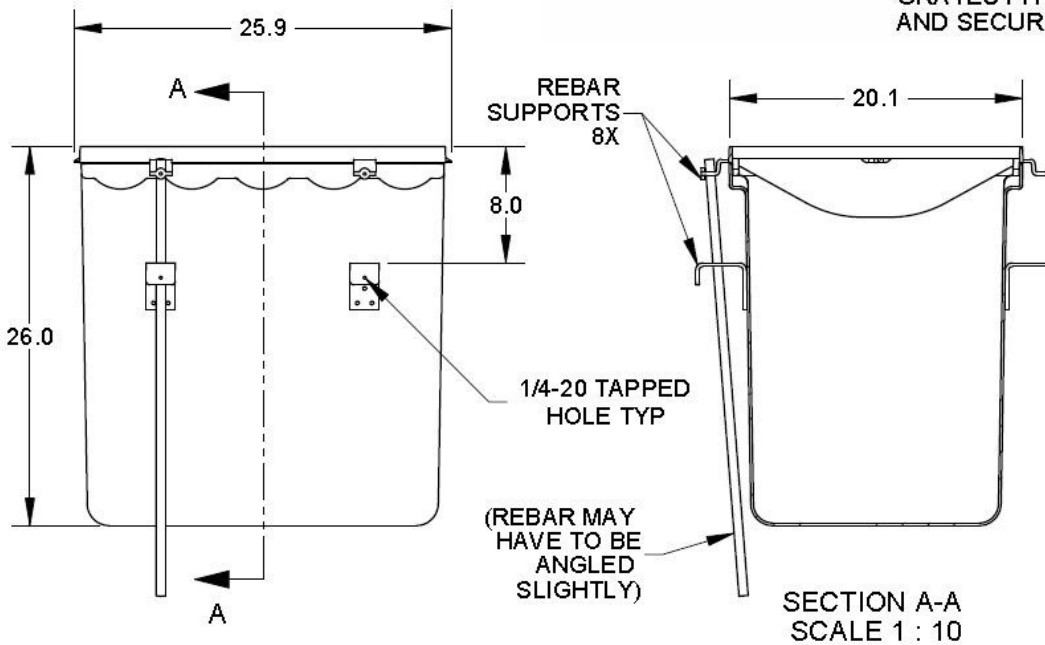
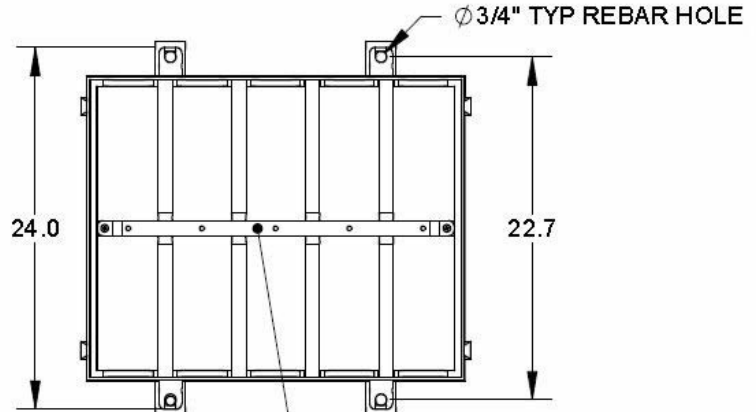
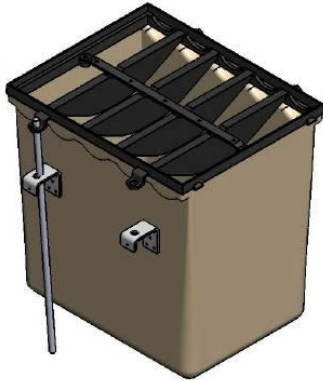
1-877-903-7246



www.trenchdrainsupply.com

<p>Number</p> <p>CPS200-CB-DI</p>	<p>Series</p> <p>CPS200</p> <p>Catch Basin with DI Rail 20" X 24"</p> <p>Pro Plus 200</p>
---	---

NOTE:
DUCTILE IRON FRAME AND CROSS SUPPORTS IS REQ'D TO
ACHIEVE LOAD CLASS C ON CATCH BASIN



Manufacturer



Specification

JOSAM CATCH BASIN WITH DUCTILE IRON FRAME ON TOP FOR USE WITH PRO-PLUS 200C (8" INTERNAL WIDTH), SERIES .CHANNELS WITH DUCTILE IRON FRAMES. (GRATES EXTRA) BOX IS MADE OF GRP MATERIAL. CHANNEL CUTOUT PROFILE(S) TO BE DONE ON SITE. SUPPLIED BY TRENCH DRAIN SUPPLY

DISCLAIMER - The customer and the customer's architects, engineers, consultants, and other professionals are completely responsible for the selection installation and maintenance of any product purchased from Trench Drain Supply and/or its manufacturers. TRENCH DRAIN SUPPLY MAKES NO WARRANTY, EXPRESS OR IMPLIED, AS TO THE SUITABILITY, DESIGN, MERCHANTABILITY, OR FITNESS OF THE PRODUCT FOR CUSTOMERS APPLICATION. The drawing and information provided remain the property and copyright of the manufacturer listed. The manufacturer reserves the right to modify specification without notice.